

HF 3360

DALI-2 Input Device - concealed, sq.
 EAN 4007841 057336
 Article number 057336



Function description

Perfection through and through. High-frequency motion detector HF 3360, ideal for basement corridors, stairwells, multi-storey car parks, installation height 2.8 m, 360° angle of coverage, reach 1 – 8 m (radial), detection regardless of temperature, HF-sensor technology also detects movement through glass, wood and stud walls. Available either in round or square surface-mounted and concealed version. DALI-2 Input Device enables sensors to communicate collected sensor data to higher-level lighting management systems (e.g. LiveLink).

Technical specifications

Dimensions (L x W x H)	64 x 94 x 94 mm
With motion detector	Yes
Manufacturer's Warranty	5 years
Settings via	Bus
With remote control	No
Version	DALI-2 Input Device - concealed, sq.
PU1, EAN	4007841057336
Type	Motion detectors
Application, place	Indoors
Application, room	function room / ancillary room, stairwell, WC / washroom, multi-storey / underground car park, Indoors
Colour	white
Colour, RAL	9003
Includes corner wall mount	No
Installation site	wall, ceiling, corner

Mounting height	2,00 – 4,00 m
Mounting height max.	4,00 m
Optimum mounting height	2,8 m
HF-system	5,8 GHz
Detection	also through glass, wood and stud walls
Detection angle	360 °
Angle of aperture	180 °
Sneak-by guard	Yes
Capability of masking out individual segments	No
Electronic scalability	Yes
Mechanical scalability	No
Reach, radial	Ø 8 m (50 m ²)
Reach, tangential	Ø 8 m (50 m ²)
Transmitter power	< 1 mW
Twilight setting	2 – 1000 lx

HF 3360

DALI-2 Input Device - concealed, sq.
 EAN 4007841 057336
 Article number 057336



Technical specifications

Installation	Concealed wiring, Wall, Ceiling, corner	Basic light level function	No
IP-rating	IP20	Main light adjustable	No
Ambient temperature	-20 – 50 °C	Twilight setting TEACH	No
Material	Plastic	Constant-lighting control	No
Mains power supply	12 – 22,5 V	Interconnection	Yes
Power consumption	0,5 W	Type of interconnection	Master/slave
Power supply, detail	DALI bus	Interconnection via	DALI bus
Number of Dali users	5	Max. Current consumption according to IEC 62386-101	24 mA
SteuerAusgang, Dali	Addressable/slave	Typical current consumption at 16V input voltage	8 mA
With bus coupling	Yes	Max. Current consumption at 10V input voltage in regular operation	12 mA
Technology, sensors	High frequency, Light sensor		

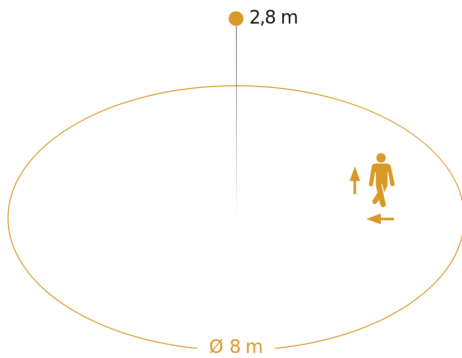
Accessories

EAN 4007841 009151	Remote control Smart Remote
EAN 4007841 035174	Corner wall mount 3000
EAN 4007841 056681	Black cover for HF 3360

HF 3360

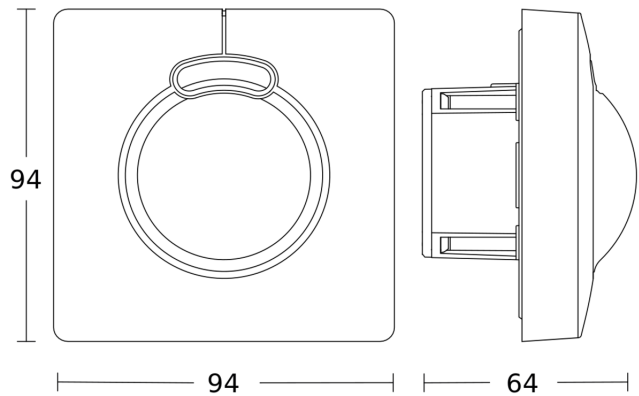
DALI-2 Input Device - concealed, sq.
EAN 4007841 057336
Article number 057336

Detection Zone



Possible mounting height: 2,00 m - 4,00 m
Orange: radial and tangential

Dimension Drawing



Circuit diagram

